

1

2

3

4

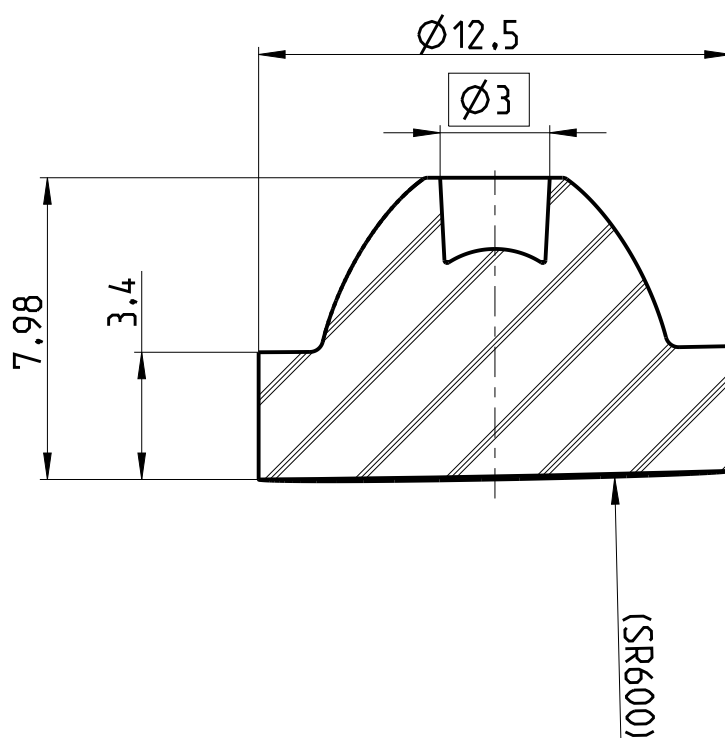
A

B

C

D

E



1:1



Quality checked



Constructional dimension



Dimension for information only

F

| | | | | | | | |
|--|--|--|-----------------------|---|----------------|---|-------------------|
| | | | Scale 5:1 (1:1) | Material SUPRAX [®] 8488 | 1.7g | Tolerances unless otherwise specified are ±1%, but minimum ±0.5 mm | |
| | | | | Date 04-FEB-16 | Name Becker | F NE M TIR Lens LED-T London Ø3/20° based on 71460 [147 5643] | |
| | | | Formed | 15-FEB-16 | | Final part number (SAP) 150 1564 | |
| | | | Checked | | | Drawing number 71460e_000_007_403 | Version 07 |
| | | | | | | Auer Standard | Project 71460e |
| | | | | | | | A4 |



Auer Lighting GmbH
Hildesheimerstrasse 35
D-37581 Bad Gandersheim
Tel: +049 (0)5382 / 701-0
www.auer-lighting.com

This drawing is our property. Multigraphing and sending copies to third parties is punishable, bound to claim for damages and prosecution.
(Copyright law, law against unfair competition, BGB). All rights reserved for patent application (§7 PG) or registered design (§5 GMG).