

## LED Glass Lens “Amsterdam” Beam Angle 38°



### Material number: 1500655

Glass- SUPRAX® 8488  
Material: Borosilicate Glass

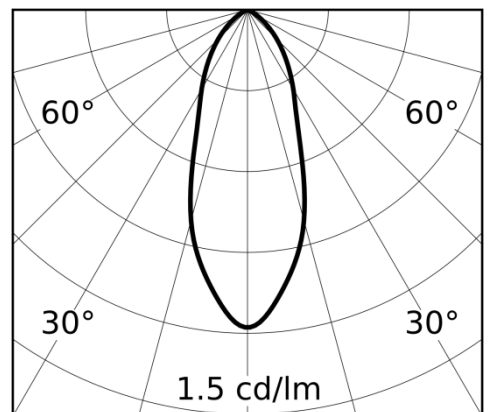
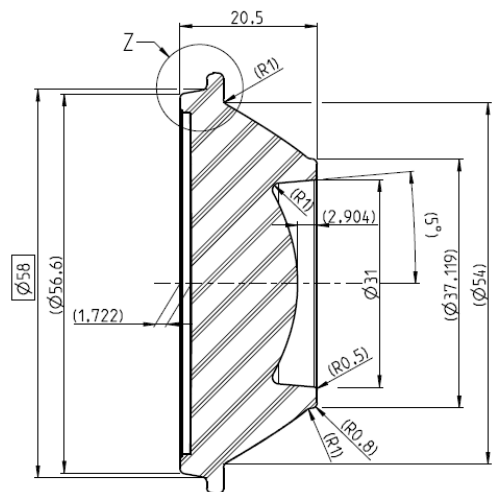
Diameter: 63,0 mm  
Height: 20,5 mm

### Packing unit: 1 pc

Weight: 78 g  
Operating temperature: up to 400°C

### Optics:

Beam Angle: 38°  
Field Angle: 93°  
CBCP: 1,0 cd/lm  
LES: 19 mm  
Applicable LEDs: Osram, Cree, Nichia, Bridgelux, Citizen



Customs tariff number: 70140000